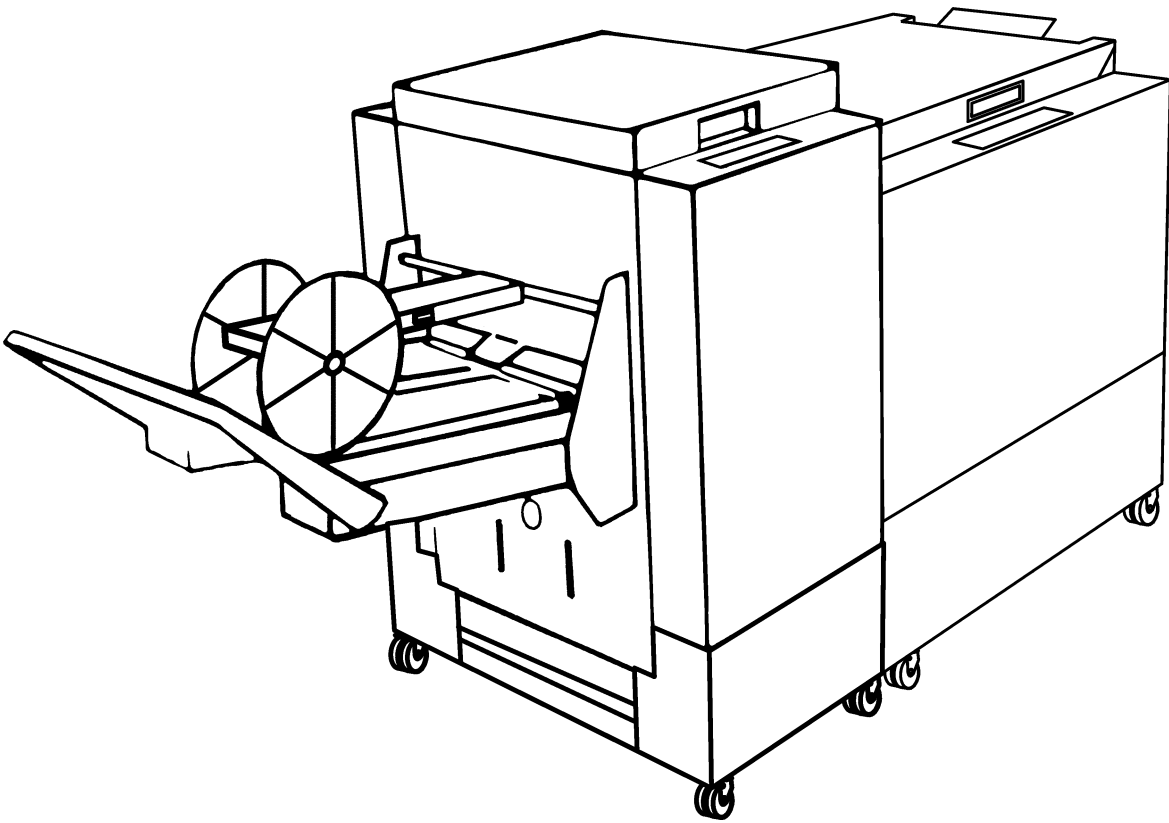

Spare Parts List

Trimmer TR 85



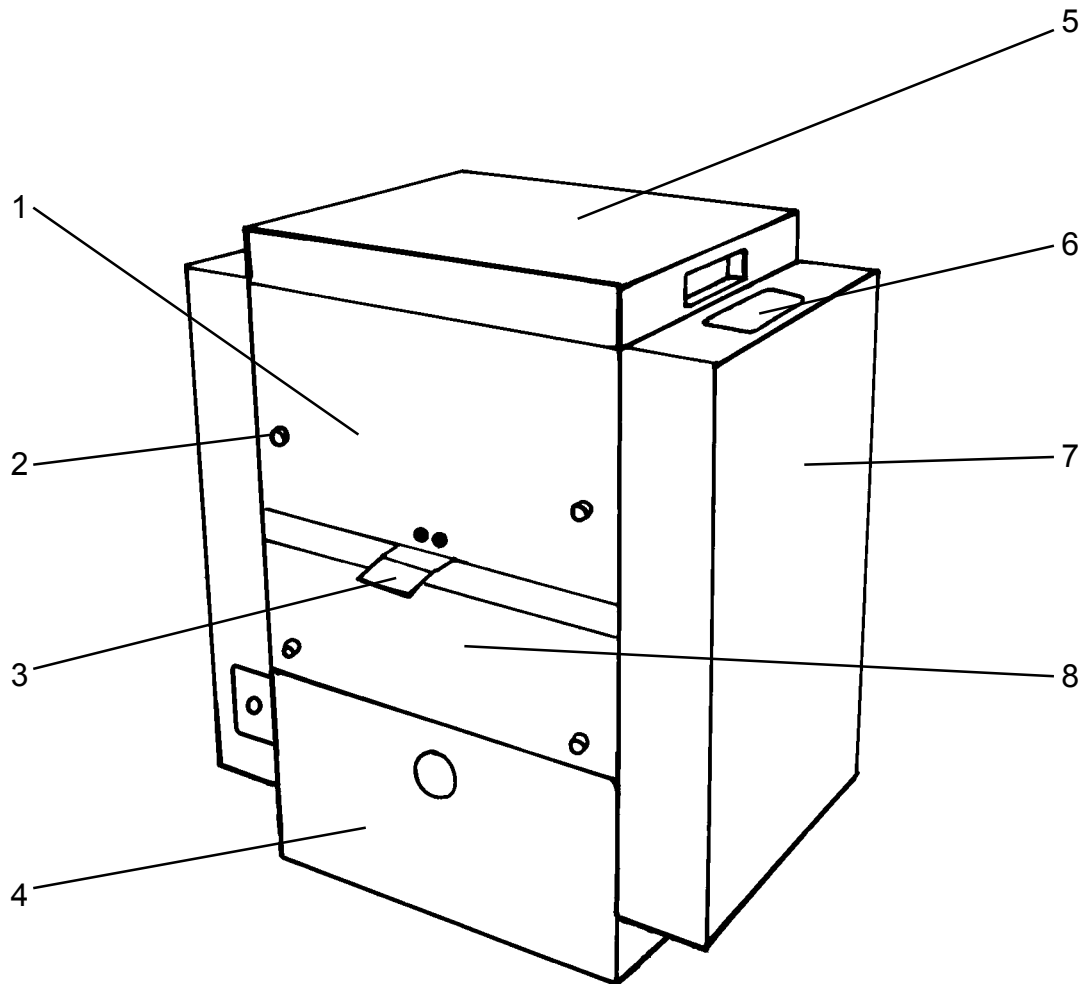
December 2000

Part No. 89005

Contents

TITLE	PAGE	REVISION
Front and outfeed view	1.1	December 2000
Rear and infeed view	1.3	December 2000
Front view, cover removed	1.5	December 2000
Rear view, cover removed	1.7	December 2000
Infeed frame	1.9	December 2000
Outfeed sensor & Interlock switch	1.11	December 2000
Cam shaft & infeed area	1.13	December 2000
Upper outfeed belts	1.15	December 2000
Lower outfeed belts	1.17	December 2000
Knife assemblies	1.19	December 2000
Trimmer stop carriage	1.21	December 2000
Outfeed area, scrap paper bin removed	1.23	December 2000

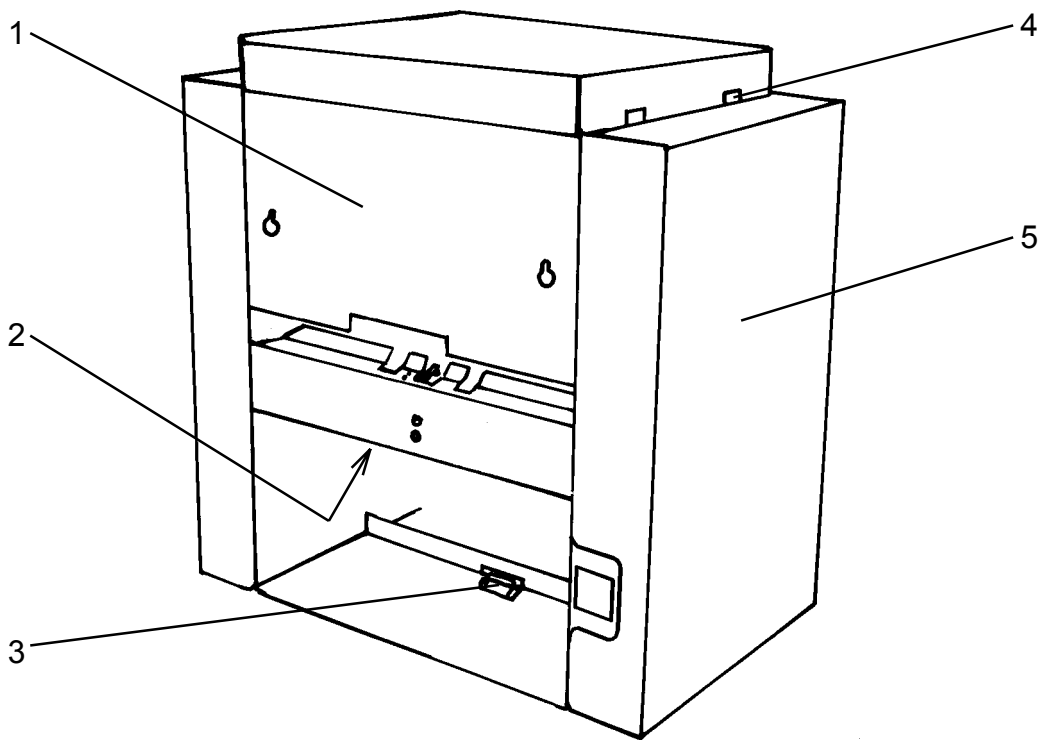
Front and outfeed view



Front and outfeed view

Item	Part no.	Qty.	Description	Note
1	PL89510	1	Upper outfeed cover	
2	PL891026	4	Bracket assy. for stacker	
3	PL89776	1	Exit paper guide	
4	PL891088	1	Scrap paper bin assy.	
5	PL891086	1	Top cover assembly	
	PL890147	1	Blower assembly	Inside top cover, Incl. 89778
	PL89778	1	Blower motor	Inside top cover
6	PL891064	1	Front panel assy. Europe	
	PL891065	1	Front panel assy. USA	
7	PL890135	1	Front cover assembly	
8	PL890108	1	Lower outfeed cover assy.	

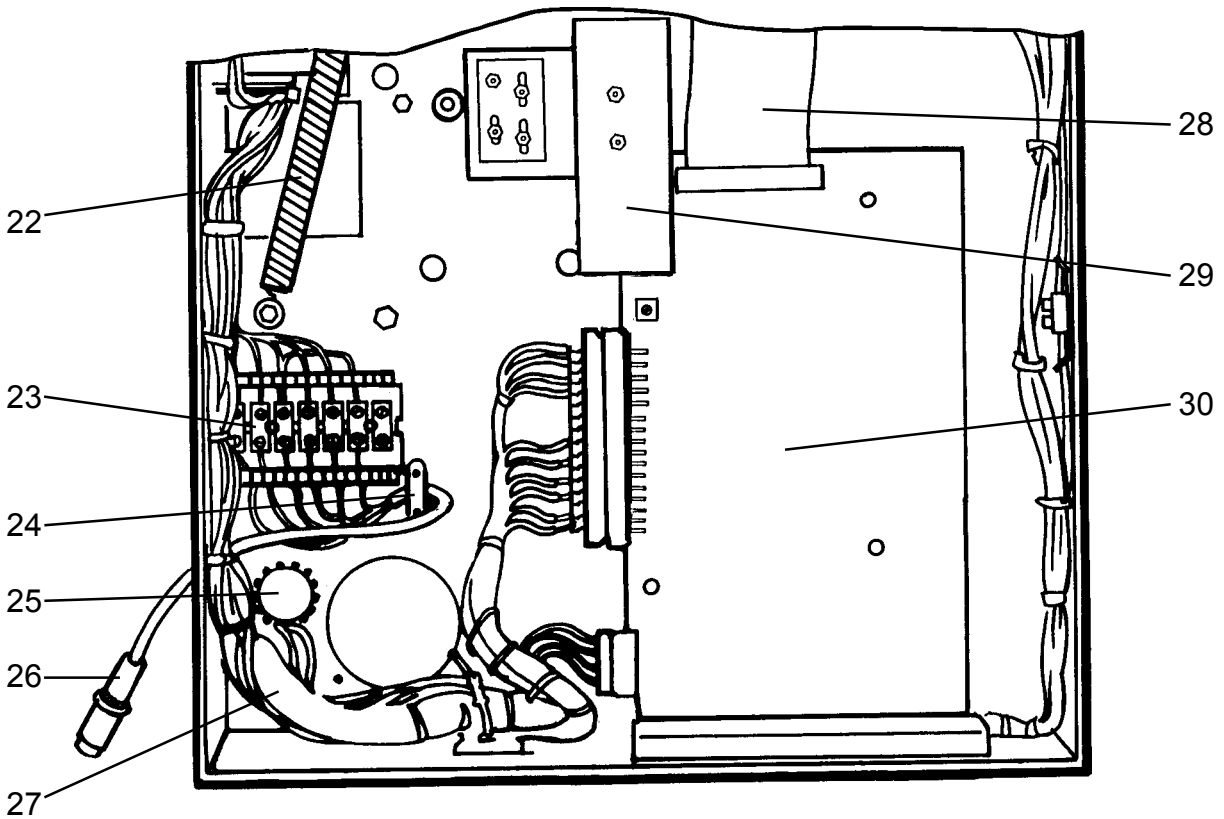
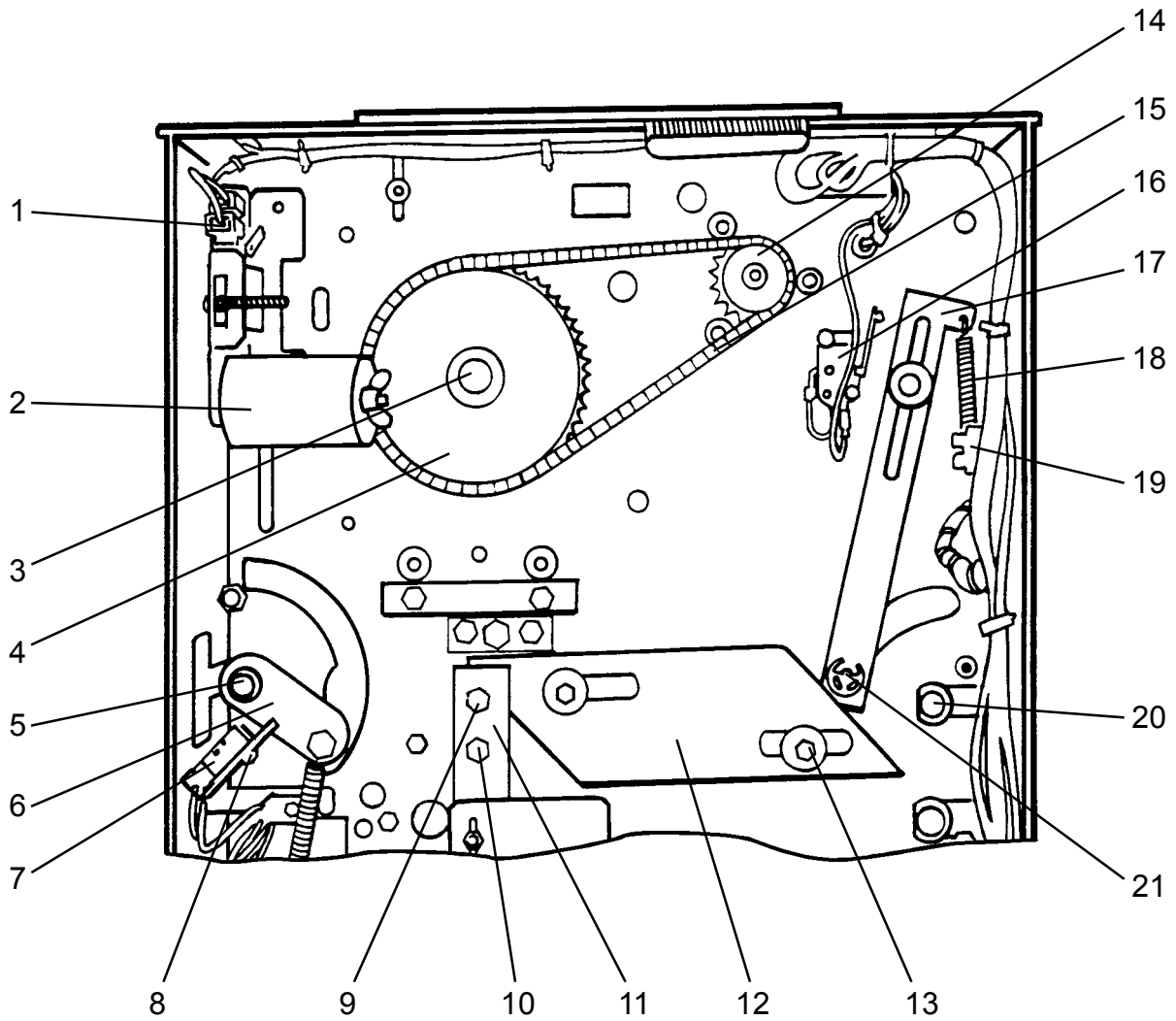
Rear and infeed view



Rear and infeed view

Item	Part no.	Qty.	Description	Note
1	PL891072	1	Upper infeed cover	
2	PL89527	1	Protective cover	
	PL89849	1	Paper baffle	
3	PL89640	2	Magnetic lock	
4	PL88098	2	Hinge	
5	PL890157	1	Rear cover assembly	

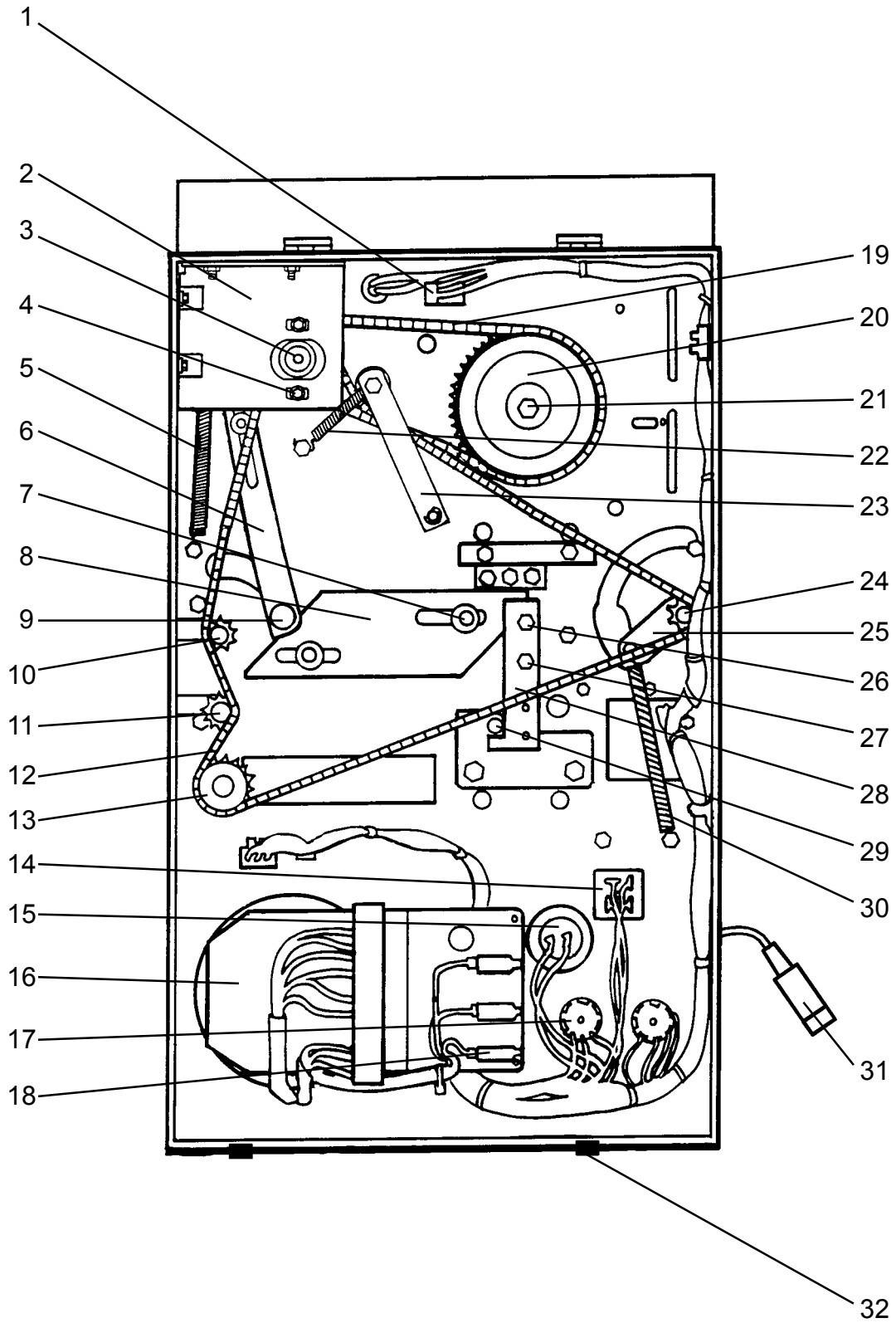
Front view, cover removed



Front view, cover removed

Item	Part no.	Qty.	Description	Note
1	PL891031	1	Interlock bypass switch assy.	SW 3
2	PL891048	1	Safety block for knife beam	
3	PL99333	1	Bolt, front	
4	PL89529	1	Sprocket	
5	PL89609	1	Flange bushing	
6	PL89771	1	Infeed linkage	
7	PL891032	1	Microswitch assy.	SW 2
8	PL89651	1	Bracket for switch	
9	PL89693	1	Spacer	
	PL80746	1	Bearing	
10	PL89692	1	Spacer	
11	PL89525	1	Lifting bracket	
12	PL89531	1	Side guide	
13	PL89568	2	Shaft for side guide	
14	PL891061	1	Sprocket assy.	
15	PL891033	1	Drive chain	
16	PL891034	1	Microswitch assy.	SW 8
17	PL89532	1	Bracket for spring	
18	PL89633	1	Spring	
19	PL60707	1	Terminal block	
20	PL89609	2	Flange bushing	
21	PL60627	1	Needle bearing	
22	PL89635	1	Spring	
23	PL60707	1	Terminal block	
24	PL25570	2	Cable clamp	
25	PL88492	1	Ground connector	
26	PL890207	1	Interface cable	
27	PL890202	1	Main harness	
28	PL890213	1	Front panel extension assy	
29	PL891049	1	Knife position indicator assy.	
30	PL891085	1	Printed circuit board	
	PL89780	1	Fuse, 5A 250V	
	PL89781	1	Fuse, 7A 250V	

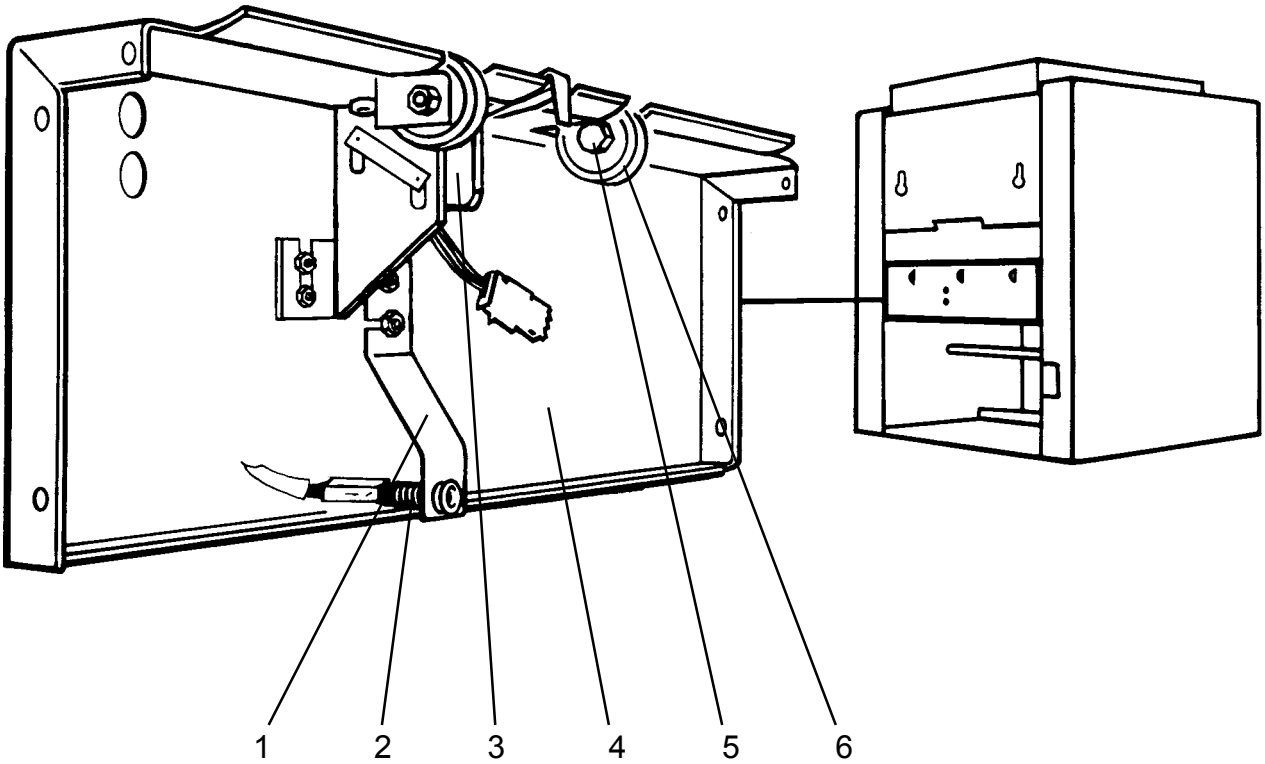
Rear view, cover removed



Rear view, cover removed

Item	Part no.	Qty.	Description	Note
1	PL88520	1	Counter	
2	PL891052	1	Support bracket assy.	Incl. 89757, 89759
3	PL891071	1	Sprocket assy.	Model 89-75, Incl. Clutch
4	PL89757	1	Adjustable bracket	
	PL89759	1	Bushing	
5	PL89633	1	Spring	
6	PL89532	1	Bracket for spring	
7	PL89568	2	Shaft for side guide	
8	PL89531	1	Side guide	
9	PL60627	1	Needle bearing	
10	PL89578	1	Sprocket	
	PL89609	1	Flange bushing	
11	PL89578	1	Sprocket	
	PL89609	1	Flange bushing	
12	PL891035	1	Drive chain	
13	PL890121	1	Sprocket assy	
14	PL20711	1	Rectifier	
15	PL891015	1	Capacitor assy	
16	PL88541	1	Transformer	
17	PL88492	2	Ground terminal	
18	PL89779	1	Fuse, 16A Slow blow	
19	PL891036	1	Drive chain	
20	PL890111	1	Sprocket for cam shaft assy	
21	PL99334	1	Bolt, rear	
22	PL89699	1	Spring	
23	PL890122	1	Chain stretcher assy.	Incl. 89699
24	PL89867	1	Sprocket	Model 89-75
	PL89609	1	Flange bushing	
25	PL89771	1	Infeed linkage	
26	PL89693	1	Spacer	
	PL80746	1	Bearing	
27	PL89692	1	Spacer	
28	PL89525	1	Lifting bracket	
29	PL89553	1	Shaft	
30	PL89635	1	Spring	
31	PL890218	1	Power supply assy	
32	PL881064	4	Clip-nut assy.	

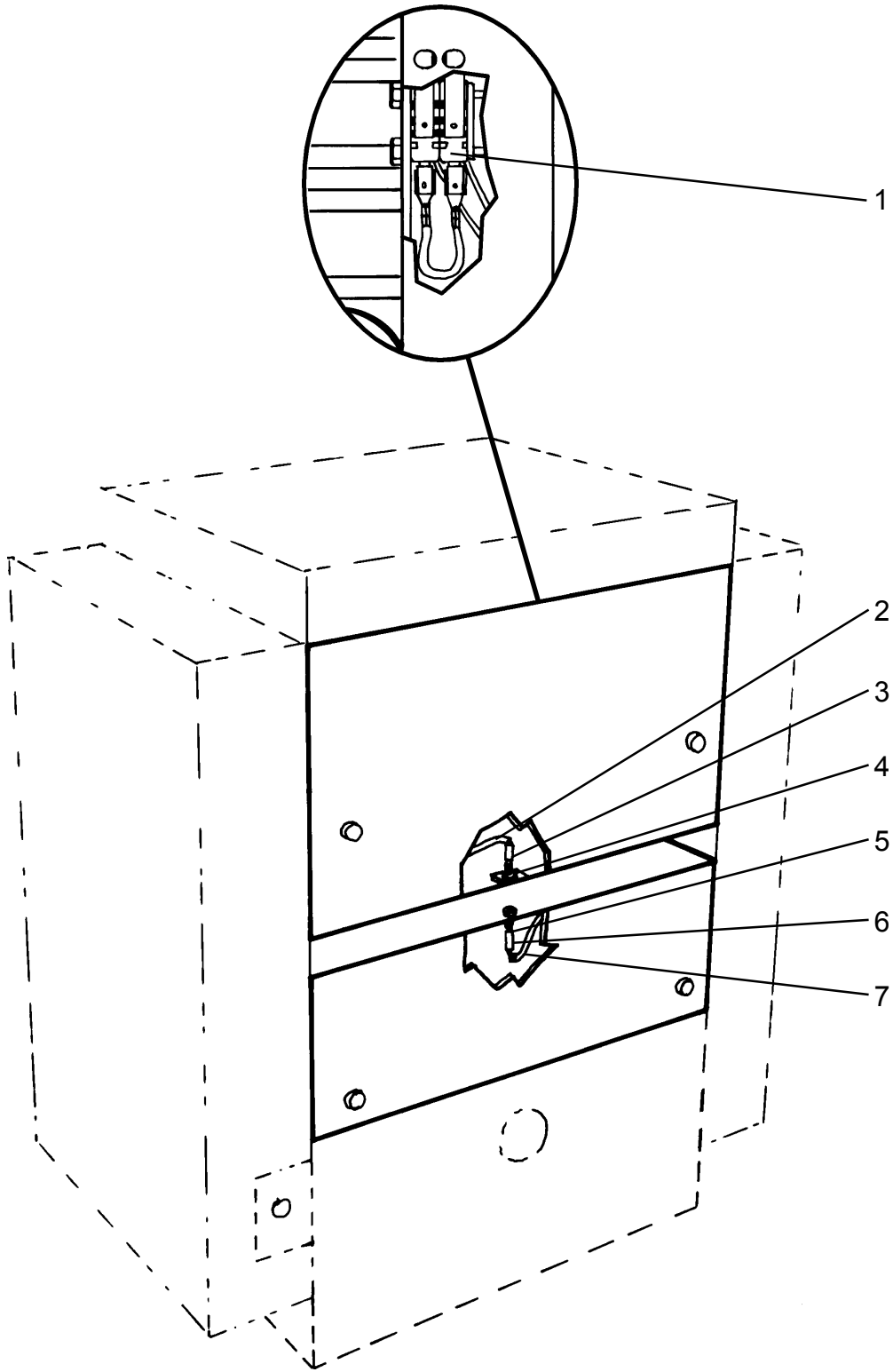
Infeed frame



Infeed frame

Item	Part no.	Qty.	Description	Note
1	PL89770	1	Bracket for LED	
2	PL881008	1	LED assy	
3	PL891067	1	Switch assy.	SW 1 Incl. Bracket
4	PL89939	1	Frame, infeed	
5	PL89958	2	Shaft for bearing	
6	PL60827	2	Bearing	

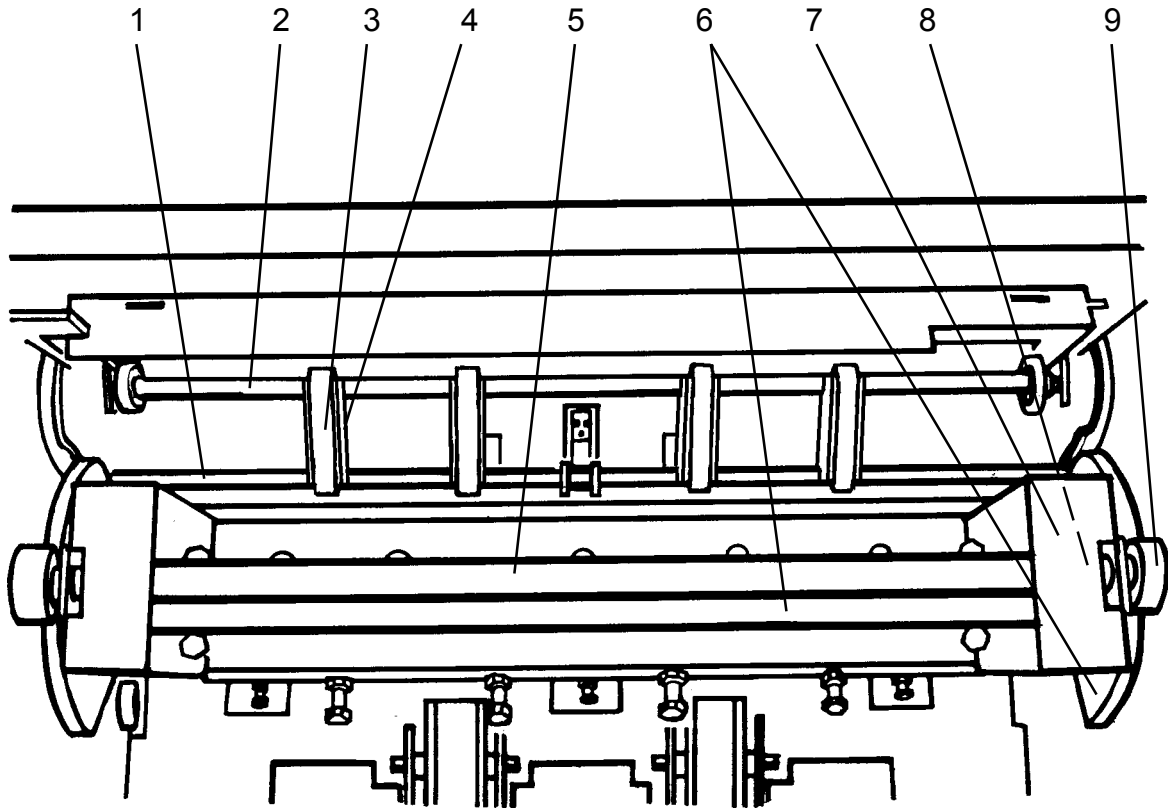
Outfeed sensor & Interlock switch



Outfeed sensor & Interlock switch

Item	Part no.	Qty.	Description	Note
1	PL891040	1	Interlock switch assy.	SW 6, SW 7
2	PL891039	1	Cable assy.	
3	PL88267	1	Connector	
4	PL881009	1	Sensor assy.	PT 1
5	PL881008	1	LED assy.	LED 1
6	PL88267	1	Connector	
7	PL891008	1	Cable assy.	

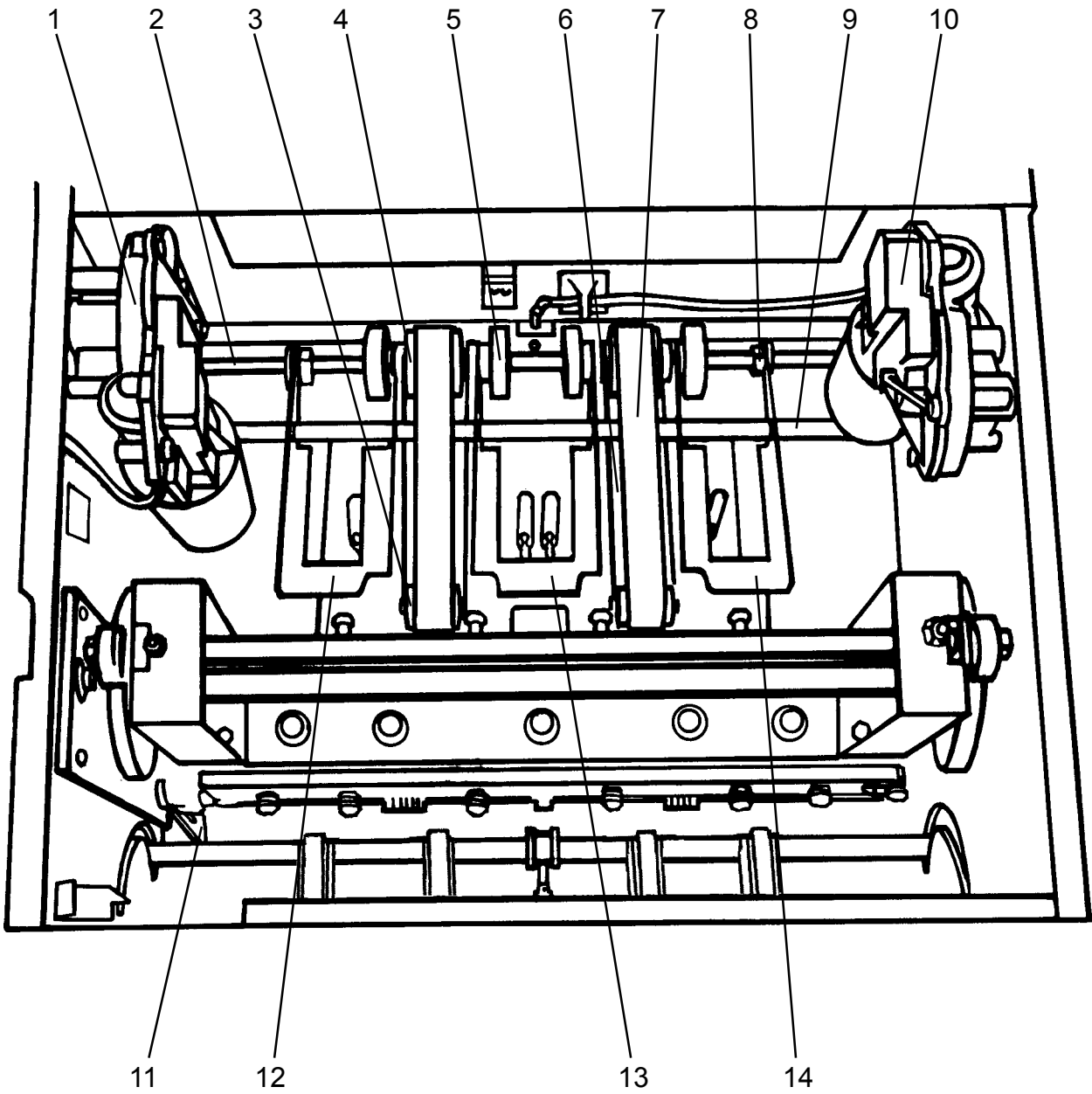
Cam shaft & infeed area



Cam shaft & infeed area

Item	Part no.	Qty.	Description	Note
1	PL890132	1	Lever shaft assy	
2	PL890159	1	Drive shaft assy, infeed	
3	PL89911	4	Drive belt	
4	PL89923	8	Belt guides	Plastic
5	PL89601	1	Support shaft	
6	PL891041	1	Cam shaft assy.	
7	PL89544	2	Cam shaft housing	
8	PL12534	2	Bearing, below cam	
9	PL60827	2	Bearing	
	PL89548	2	Shaft for bearing	

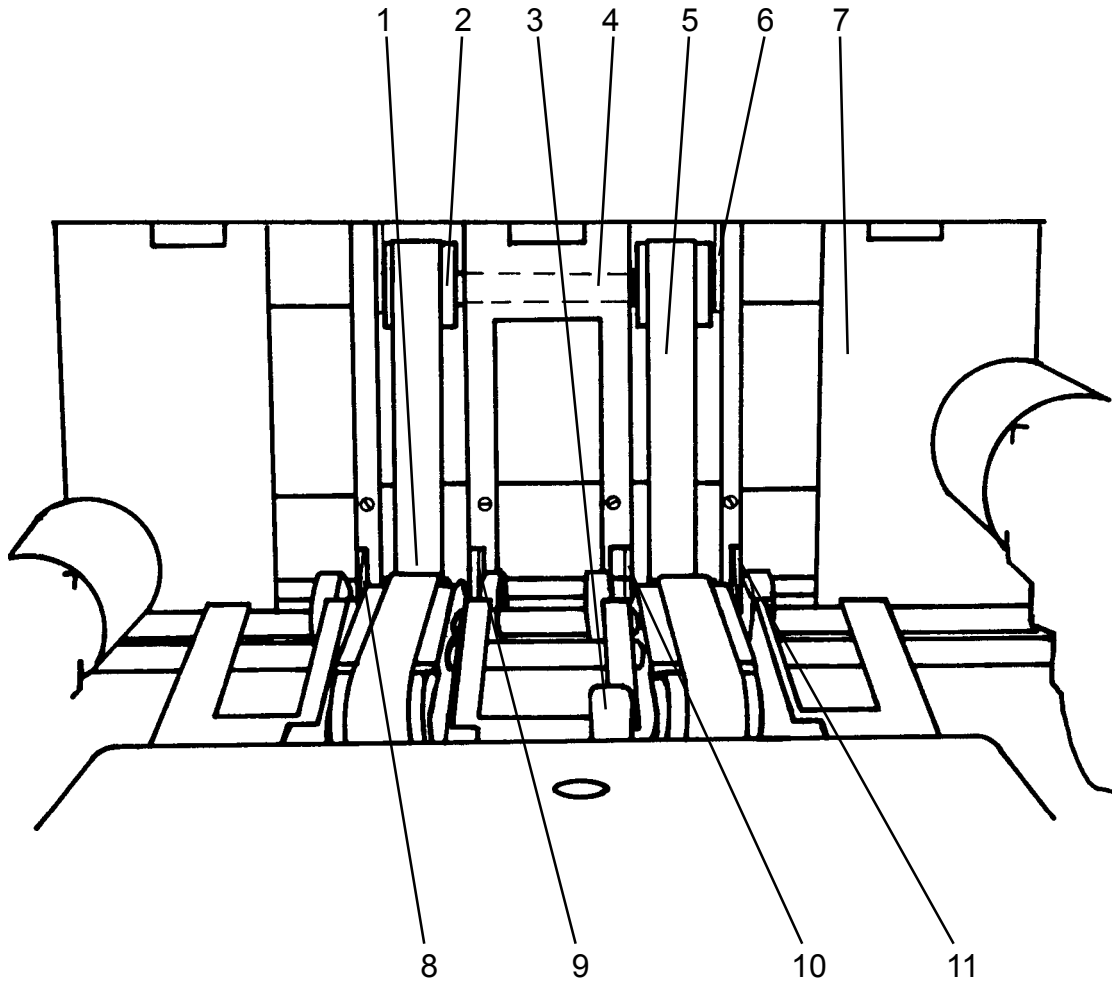
Upper outfeed belts



Upper outfeed belts

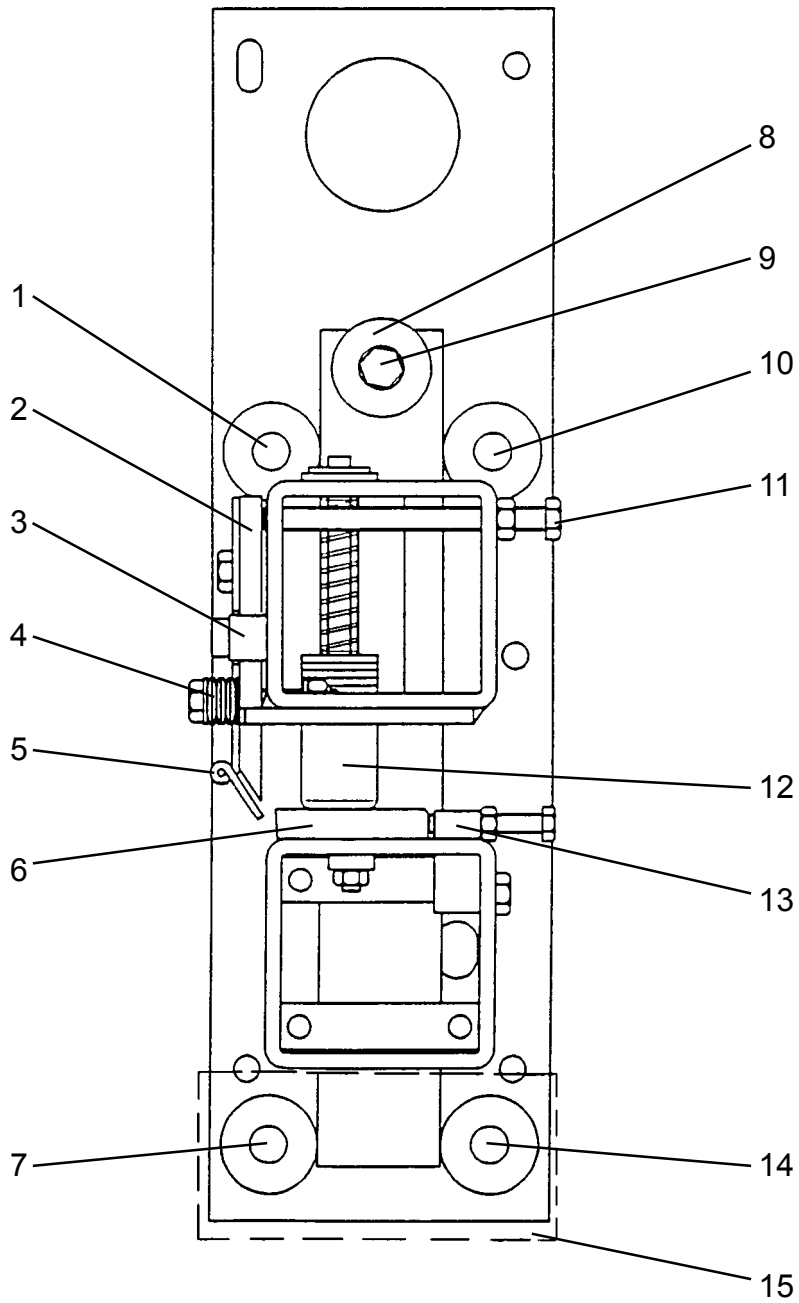
Item	Part no.	Qty.	Description	Note
1	PL881120	1	DC-motor	MOT 1
2	PL89563	1	Outfeed drive shaft, upper	
3	PL89913	2	Roller	
	PL89565	2	Shaft for roller	
4	PL89560	2	Drive roller	
5	PL89623	4	Outfeed roller	
6	PL89723	2	Linkage for transport belt	
7	PL89720	2	Belt, transport	
8	PL89609	6	Flange bushing	
9	PL89567	1	Shaft	
10	PL881120	1	DC-motor	MOT 2
11	PL89645	2	Guide for knife protector	
12	PL89886	1	Outfeed compressing bracket, rear	
13	PL89992	1	Outfeed compressing bracket, middle	
14	PL89885	1	Outfeed compressing bracket, front	

Lower outfeed belts



Lower outfeed belts

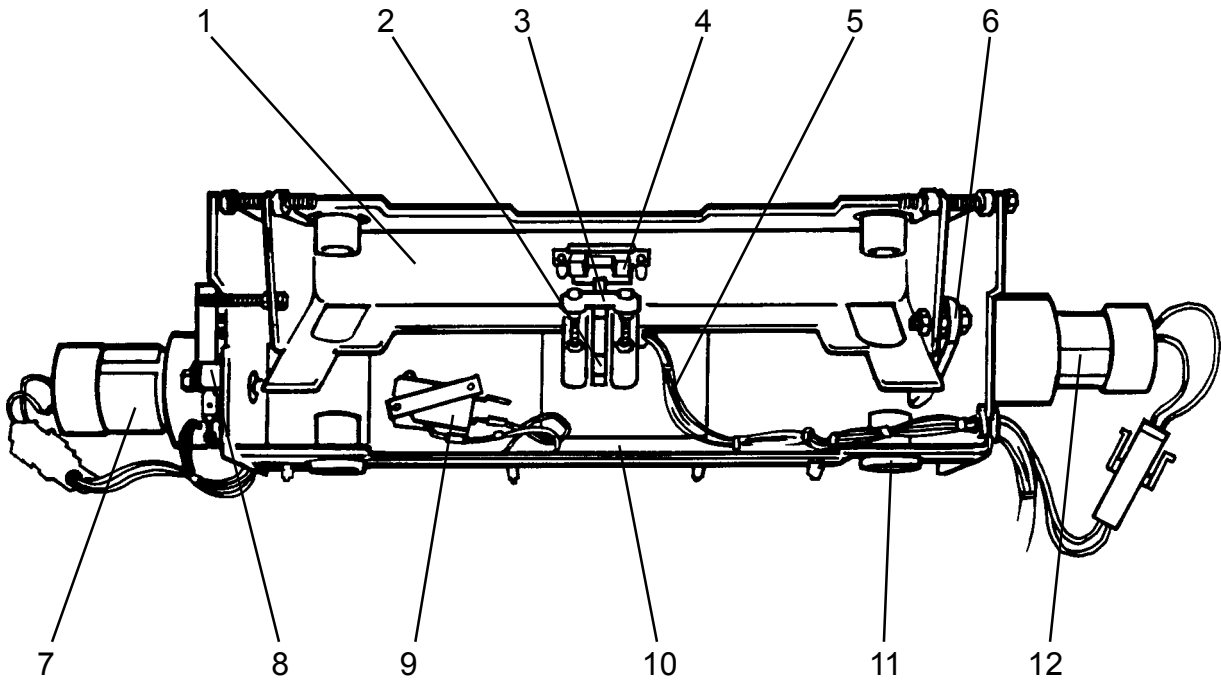
Item	Part no.	Qty.	Description	Note
1	PL89560	2	Drive roller	
2	PL89560	2	Roller	
3	PL89648	1	Latch	
4	PL89566	1	Shaft	
5	PL89595	2	Belt, transport	
6	PL891023	1	Rocker assy	
7	PL890109	1	Deck plate	Incl. Spring roller assy's
8	PL891022	1	Spring roller assy, 1	
9	PL891021	1	Spring roller assy, 2	
10	PL891020	1	Spring roller assy, 3	
11	PL891019	1	Spring roller assy, 4	



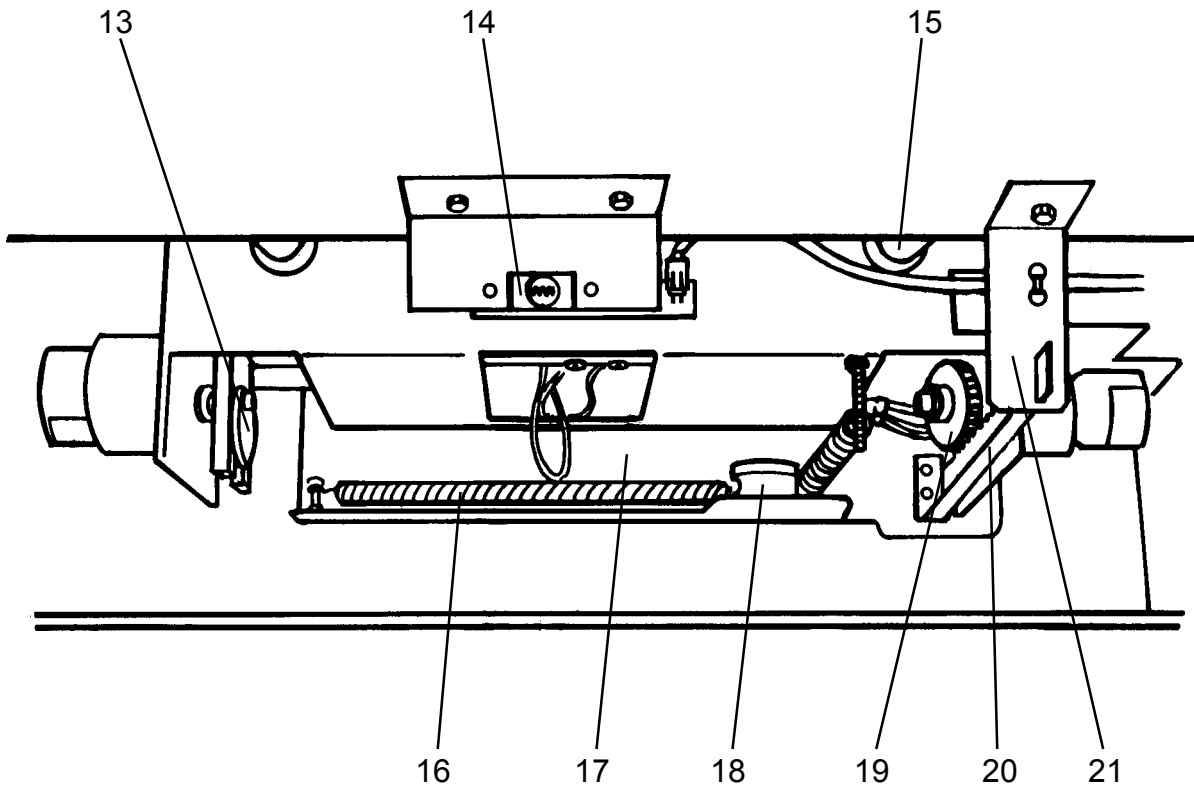
Knife assemblies

Item	Part no.	Qty.	Description	Note
1	PL891009	2	Upper bearing assy, fixed	
2	PL891062	1	Knife assy, upper	
3	PL89696	2	Guide pin	
4	PL89629	42	Cup spring washer	
5	PL890127	1	Knife protection plate assy	
6	PL891043	1	Knife assy, lower	Incl. 89631
	PL89631	2	Cup spring washer	
7	PL891004	2	Lower bearing assy, fixed	
8	PL60827	2	Bearing	
9	PL89548	2	Shaft	
10	PL891005	2	Upper bearing assy, eccentric	
11	PL89550	4	Adjustment screw	
12	PL891002	5	Plunger assy	
13	PL89557	3	Stop for knife	
14	PL891006	2	Lower bearing assy, eccentric	
15	PL89603	2	Cover	

Trimmer stop carriage



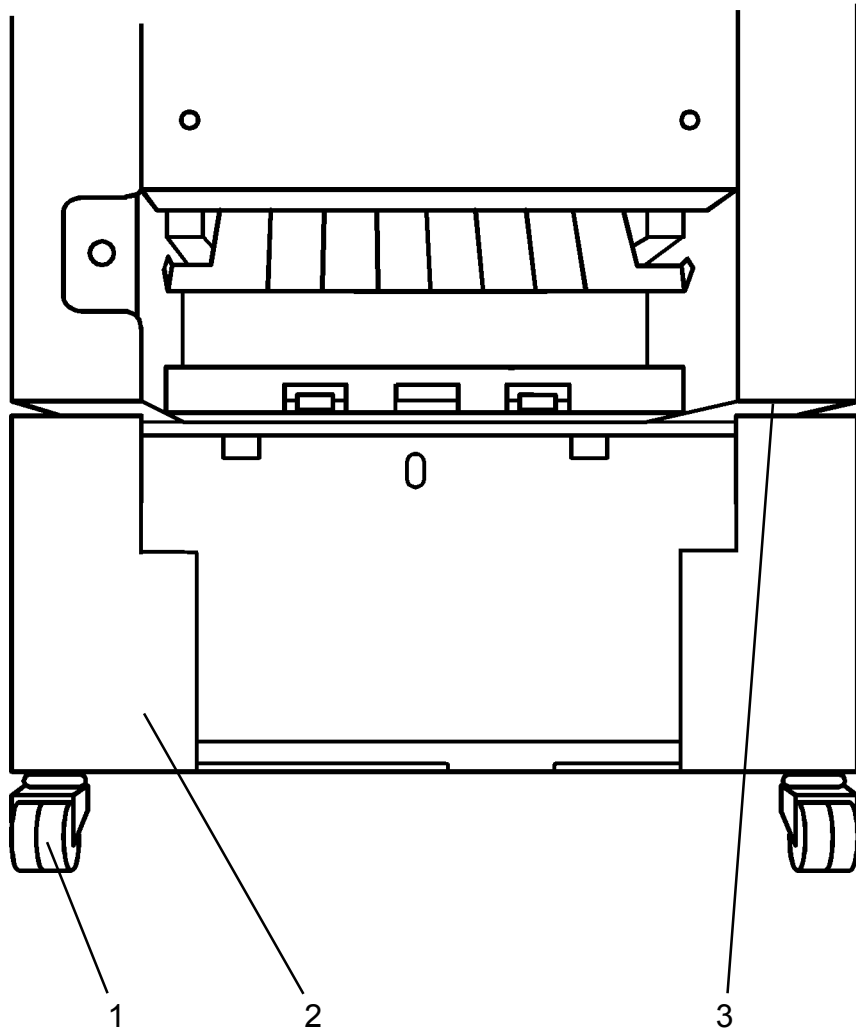
VIEW FROM INFEED SIDE



Trimmer stop carriage

Item	Part no.	Qty.	Description	Note
1	PL89991	1	Trimmer stop	
2	PL89538	1	Switch activator	
3	PL25570	1	Stop	
4	PL24645	1	Slotted optical switch	SOS 10
5	PL890201	1	Harness for stop carrier	
6	PL89539	1	Crank arm	
7	PL891011	1	Positioning motor assy.	MOT 3
8	PL891044	1	Microswitch assy.	SW 4
9	PL60516	1	Microswitch	SW5
	PL88049	1	Nut plate	
10	PL89505	1	Stop carrier	
11	PL891045	4	Flange bushing assy.	
12	PL891010	1	Trimmer stop motor assy	MOT 4
13	PL89559	1	Crank pulley	
14	PL891055	1	Sensor PCB assy.	
15	PL89743	2	Stop carrier guides	
16	PL89630	1	Spring	
17	PL89748	1	Carrier assembly base bracket	
18	PL88116	1	Pulley	
	PL88118	1	Shaft for pulley	
19	PL89745	1	Gear	
20	PL89746	1	Gear rack	
21	PL89747	1	Gear rack bracket	

Outfeed area, scrap paper bin removed



Outfeed area, scrap paper bin removed

Item	Part no.	Qty.	Description	Note
1	PL88465	4	Castor	Model 89-75
2	PL890174	1	Base	Model 89-75 Incl. Item 4
3	PL89865	4	Washer	Model 89-75